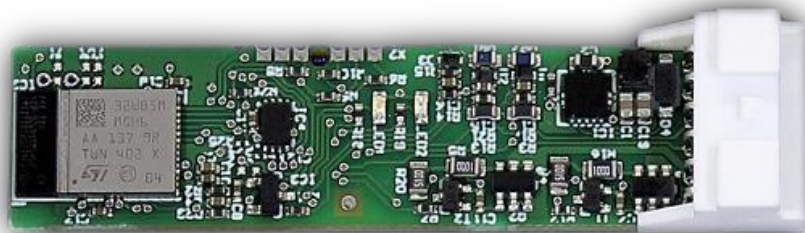


Protronic Innovative
Steuerungselektronik GmbH
Grimmaische Straße 92
04828 Bennewitz district Pausitz

info@protronic-gmbh.de
phone: 034383 63 15-0
fax: 034383 63 15-50
www.protronic-gmbh.de

Data sheet

BLE-Dimmer Hardware



Data sheet BLE dimmer hardware

Protronic Innovative Steuerungselektronik GmbH
Grimmaische Str. 92
04828 Bennewitz

phone +49 34383 6315-0
fax +49 34383 6315-50
www.protronic-gmbh.de

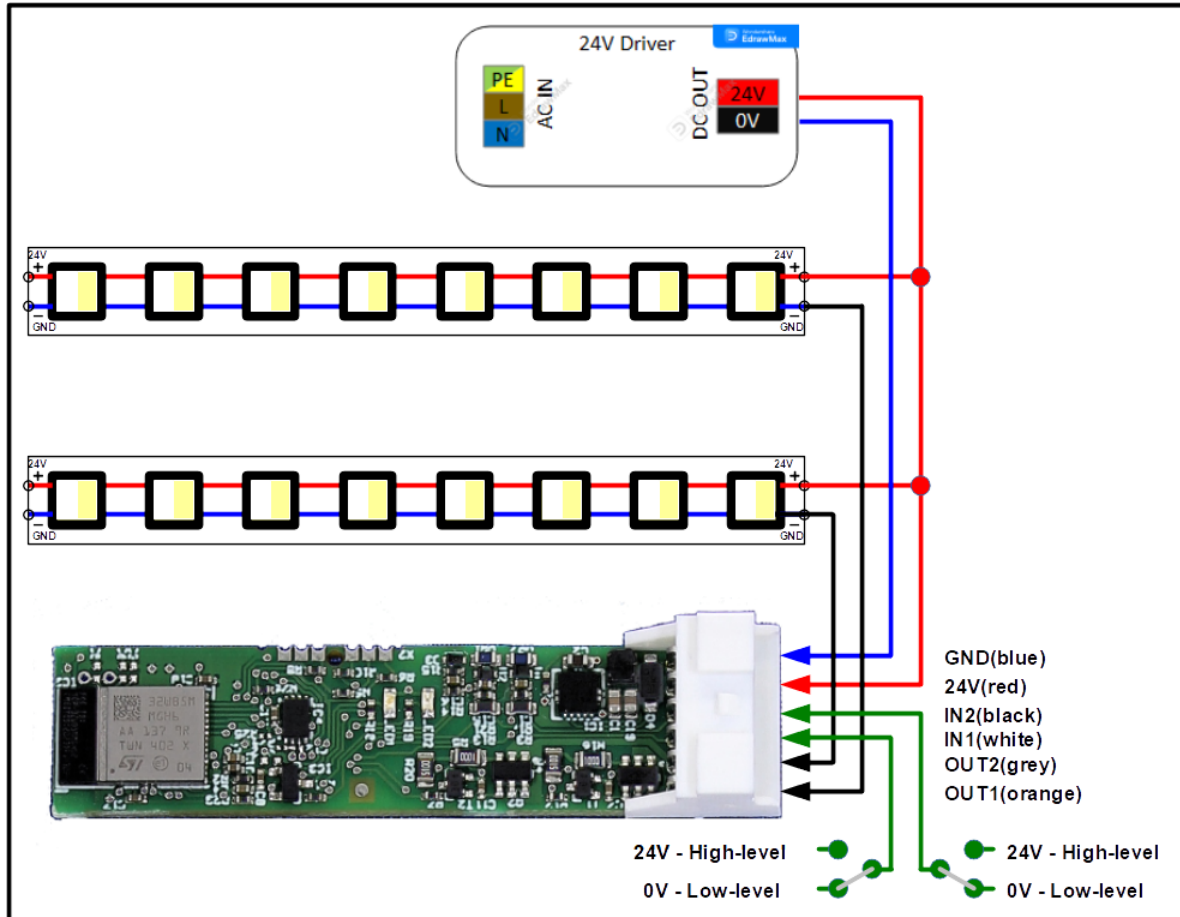
1. Table of contents

1. Inhaltsverzeichnis	Fehler! Textmarke nicht definiert.
2. Change overview	4
3. Connection diagram	5
4. BLE-Dimmer: Anschlüsse und Signale	Fehler! Textmarke nicht definiert.
4.1 general parameters:	6
4.2 electrical parameters:	6
• <i>OUT1 + OUT2:</i>	6
• <i>IN1 + IN2:</i>	6

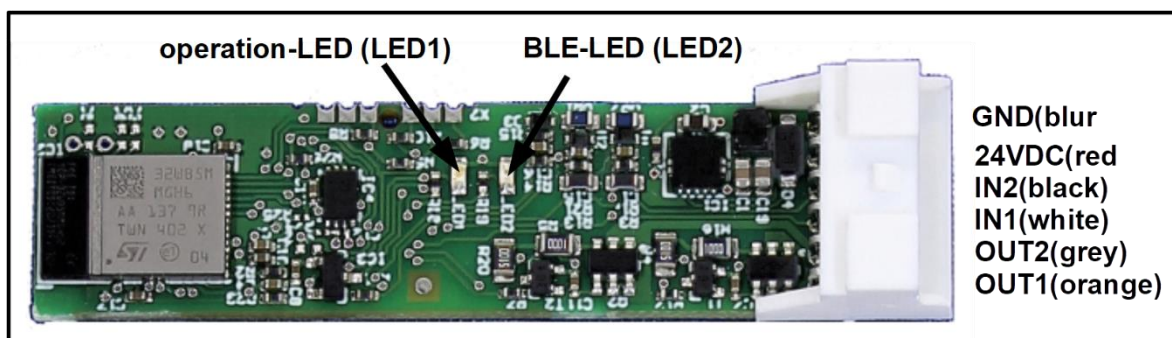
2. Change overview

version	data	name	remark / reason for the change
1	07.01.2025	Jakobza	- new

3. Connection diagram



4. BLE dimmer: connections and signals



4.1 General parameters:

- dimensions(HxWxD): 13 x 55 x 9 mm³
- weight: ca. 35 g
- permissible ambient temperature: 0 °C .. +40 °C

4.2 Electrical parameters:

- Supply voltage: 24 VDC (5 V minimum voltage only for BLE dimmer)
- Power consumption at 24 VDC: approx. 4 mA

- **OUT1 + OUT2:**

- Low-side switch - output load must be switched between 24 V (positive pole of the load) and OUTx (negative pole of the load), see connection diagram
- maximum load current at 24 VDC
 - OUT1: 2 A
 - OUT2: 2 A

- **IN1 + IN2:**

- Input voltage: 0 .. 24 V
- Input resistance: 9,66 kOhm
- Reverse polarity protection
- Overvoltage protection: max. 28 V
- Open input: is recognised as low level (approx. 0 V)